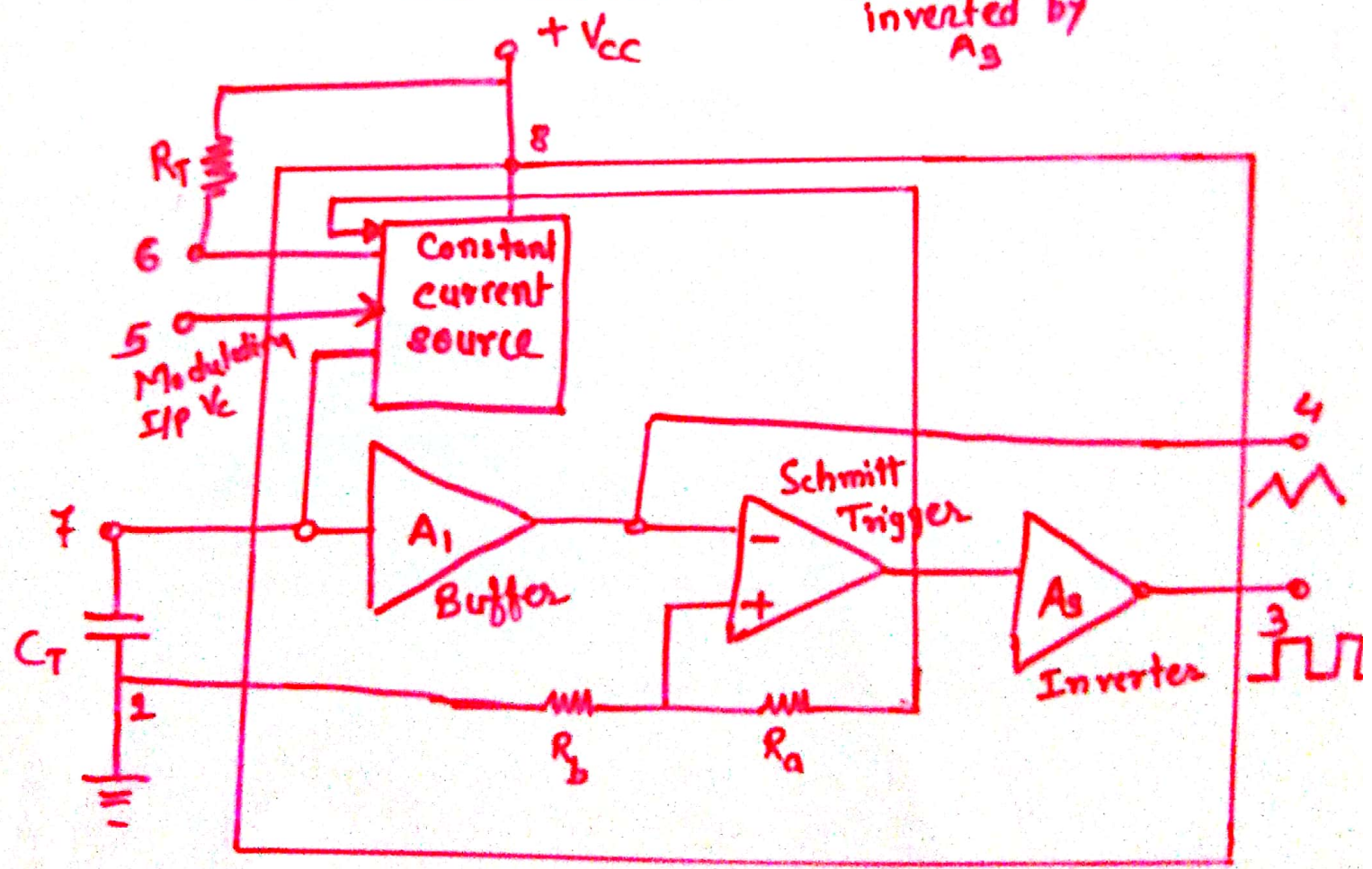
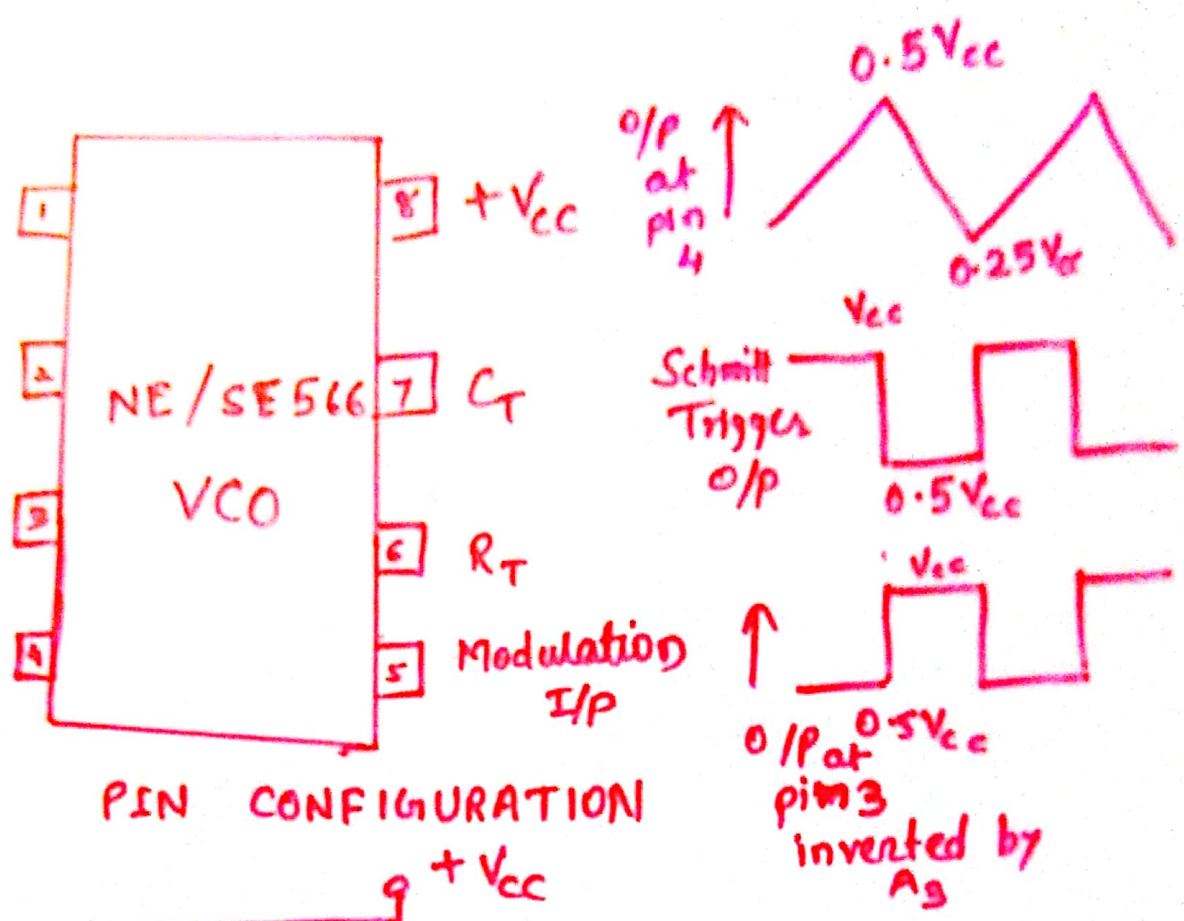
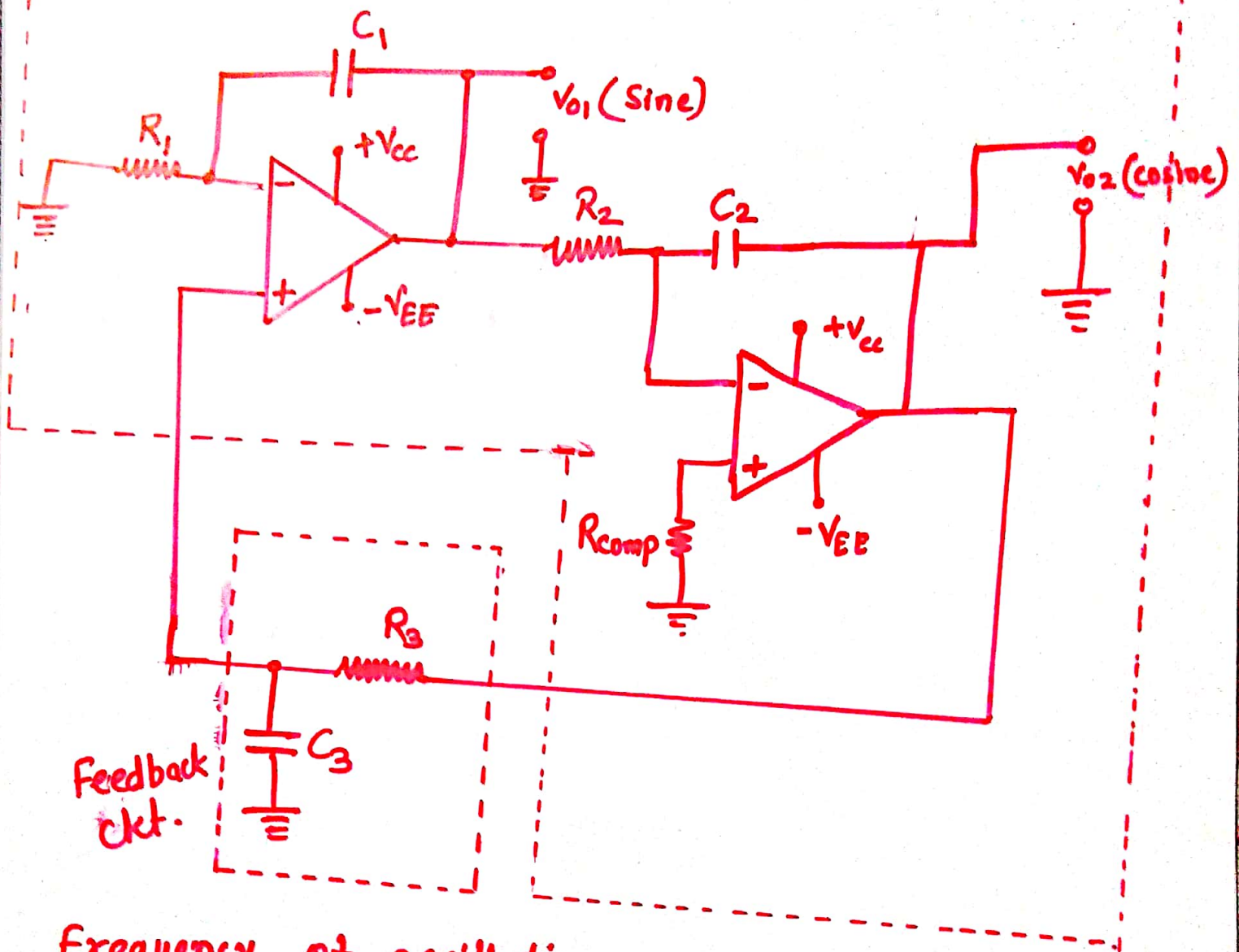


VOLTAGE CONTROLLED OSCILLATOR →



Quadrature Oscillator \Rightarrow

Amplifier Circuit



Frequency of oscillation f_0 is given by,

$$f_0 = \frac{1}{2\pi RC} \text{ where } R_1 C_1 = R_2 C_2 = R_3 C_3 = RC$$

Voltage Controlled Oscillator (VCO) \Rightarrow

